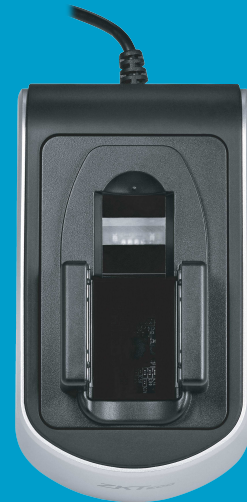


# FPV10R

USB Finger Vein Scanner

High accuracy  
of the verification



## Overview

FPV10R is a fingerprint and finger vein combined scanner. In mathematics, it has index level accuracy improvement. With a single scanning, it does two verification of both fingerprint and the finger vein. It has the capability to scan both surface signature of the skin (fingerprints) and the inner side (finger vein), and offers reliable solution to block fake attempts to the system.

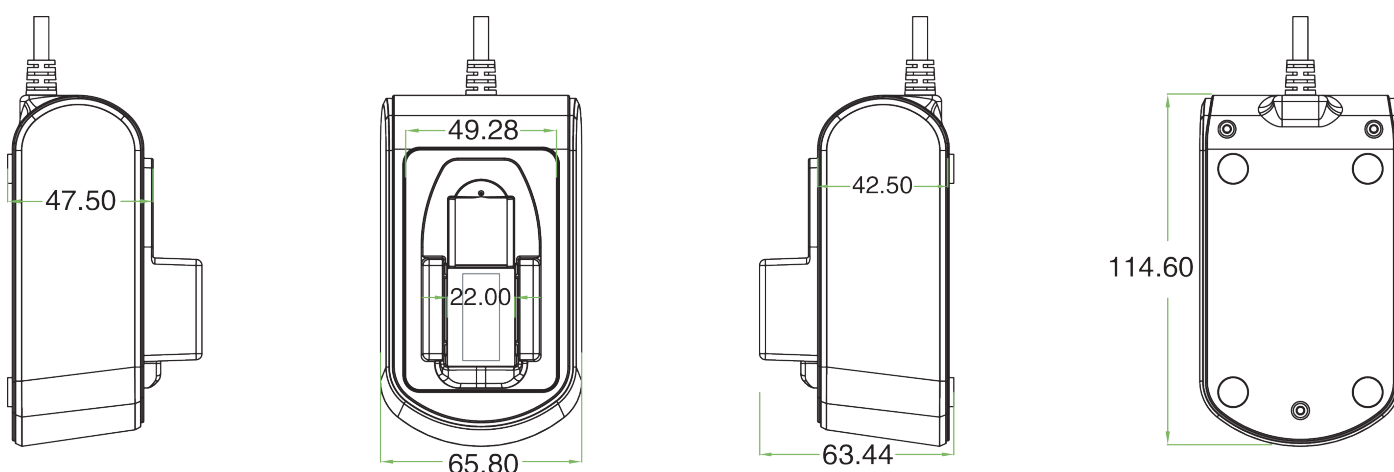
## Features

- One time verification to take two biology signatures
- High accuracy of the verification
- Quick recognition of dry, wet and rough fingerprints and finger vein
- High Speed USB 2.0

# Specifications

<b>Material</b>	Optical
<b>Effective Collection Area</b>	15.7*13.24mm
<b>Image Size</b>	360*256 pixel / 320*240 pixel
<b>Image Resolution</b>	500dpi / 300dpi
<b>Gray Level</b>	256
<b>Interface Socket</b>	USB Type A
<b>Communication</b>	USB 2.0 / USB 1.1
<b>Operating System</b>	Windows / Linux / Android
<b>Power Voltage</b>	4.8V ~ 5.5V(USB)
<b>Operating Environment</b>	20- °C ~ 50+ °C; %90 r.h.
<b>Dimension</b>	63.4*65.8*114.6mm(L*W*TH)

# Configuration



ZKTECO CO.,LTD.  
E-mail: sales@zkteco.com  
www.zkteco.com

© Copyright 2017. ZKTECO CO.,LTD. ZKTeco Logo is a registered trademark of ZKTeco or a related company. All other product and company names mentioned are used for identification purposes only and may be the trademarks of their respective owners. All specifications are subject to change without notice. All rights reserved.